

RED MACHINE s.r.o.



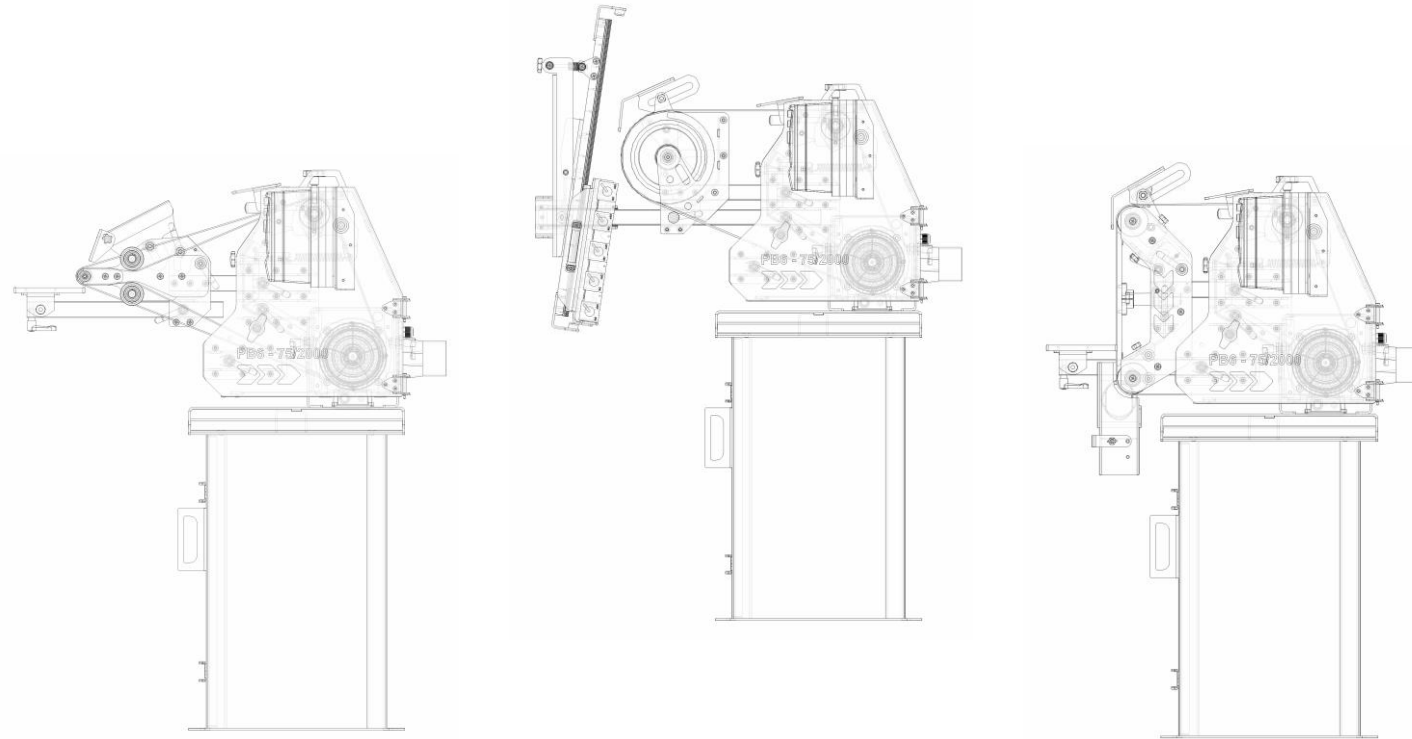
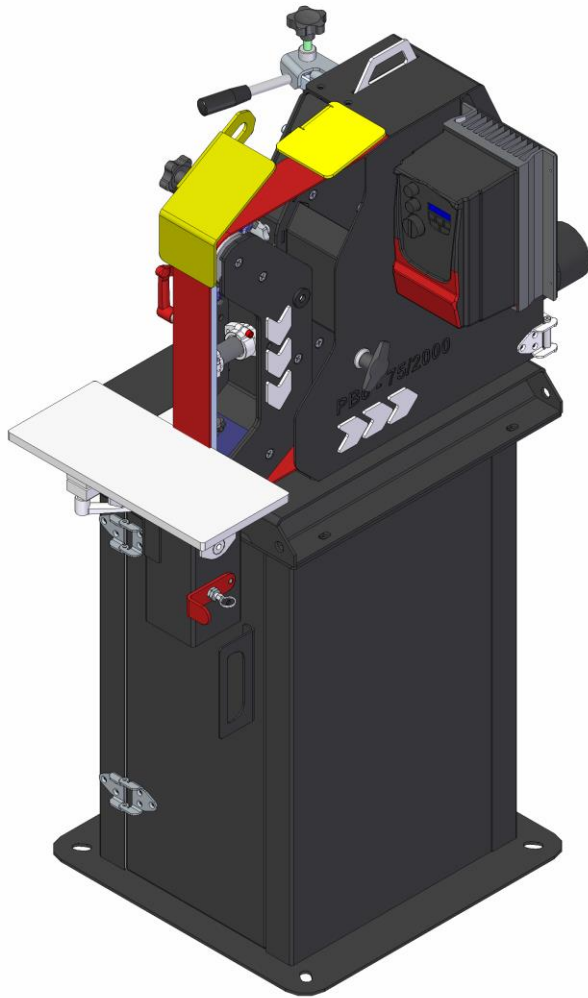


SERIES PRODUCTS

SERIES PRODUCTS

BELT SANDER PB6-75/2000

RED MACHINE s.r.o.

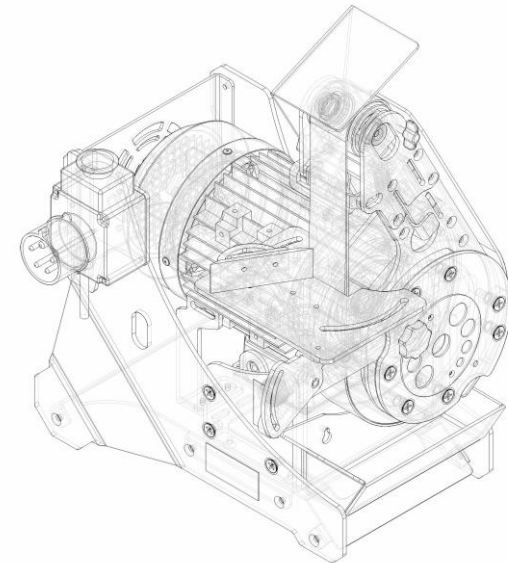
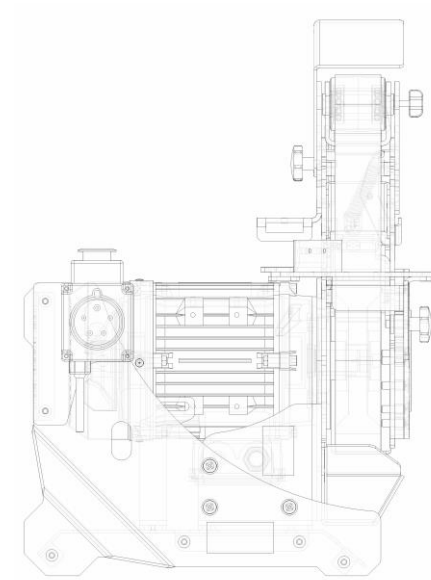
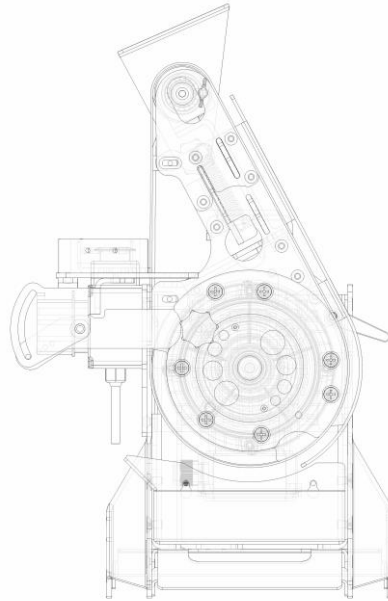
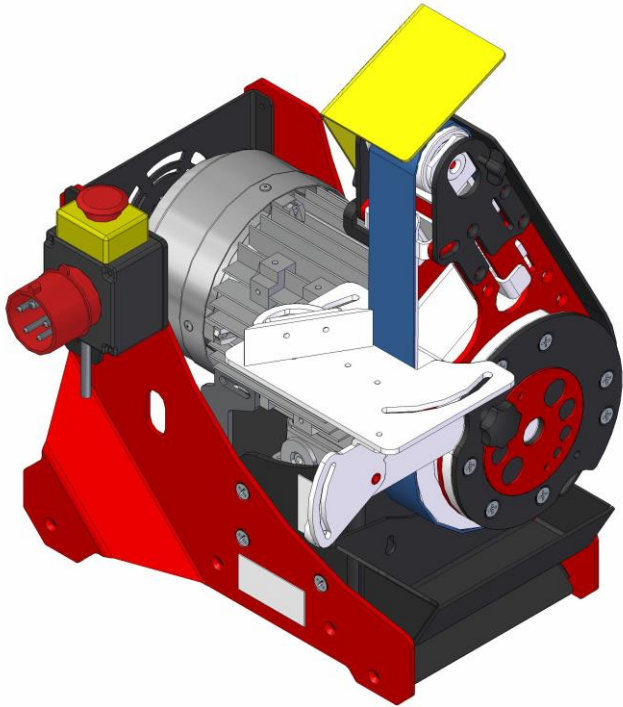


- belt width 75mm
- belt length 2000mm
- dimensions: h=670mm, w=490mm, d=657mm (without base)
- basic weight 90 kg - 1.5kW motor (2.2kW option)
- engine speed 3000 rpm
- with speed control

SERIES PRODUCTS

BELT SANDER PB20-50/1000

RED MACHINE s.r.o.

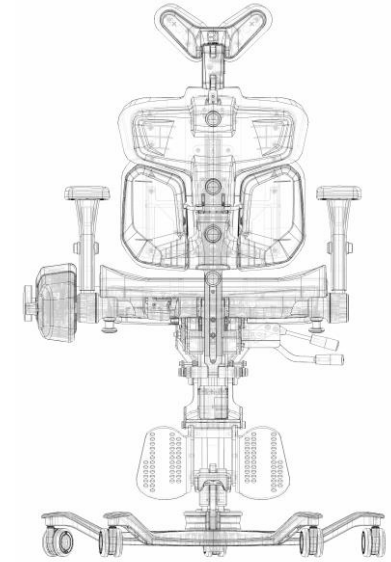
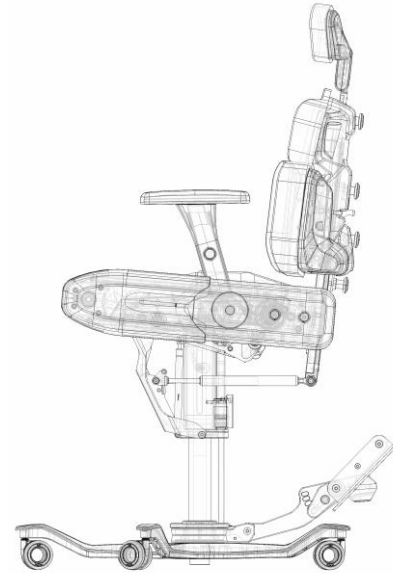


- belt width 50mm
- belt length 1000mm
- dimensions: h=540mm, w=423mm, d=292mm
- weight 45 kg - 1.5kW motor (2.2kW option)
- engine speed 3000 rpm
- without speed control

SERIES PRODUCTS

STRETCHING CHAIR

RED MACHINE s.r.o.



DESCRIPTION:

The world's first stretching chair.
Complements therapies that require
regular stretching



RED MACHINE s.r.o.



DANIELA VASATKOVA
Sales Manager

daniela.vasatkova@redmachine.cz
www.redmachine.cz